

FSN33-90 BC CORDLESS FRAMING NAILER

OPERATION MANUAL





CAUTION!

IMPROPER AND UNSAFE USE OF THIS FRAMING NAILER WILL RESULT IN DEATH OR SERIOUS INJURY. IT IS VERY IMPORTANT THAT THE INTENDED OPERATOR OF THIS TOOL READS AND UNDERSTANDS THIS MANUAL BEFORE OPERATING THIS TOOL. KEEP THIS MANUAL AVAILABLE FOR OTHERS BEFORE THEY USE THE FRAMING NAILER.



WARNING!



OPERATION MODE

PLEASE KEEP THIS MANUAL IN SAFE PLACE FOR FUTURE REFERENCE.

WARNING: Please read the instructions and warnings for this tool carefully before use. Failure to do so could lead to serious injury.

TABLE OF CONTENT

1 SAFETY	4
1.1 Safety Symbols	4
1.2 General Warning	7
1.3 General Battery Tool Safety Warnings.....	9
2 SAFETY INSTRUCTIONS FOR FRAMING NAILER	12
2.1 Framing Nailer Safety Warnings.....	12
2.1 Recommended Fasteners and Accessories	15
3 TOOL SPECIFICATIONS	16
4 BATTERY	17
4.1 Battery Level Display.....	17
4.2 Battery Specification	17
4.3 Battery Charger Specification	18
4.4 Battery & Charger Safety Warning.....	19
5 FUNCTIONAL DESCRIPTION	23
5.1 Single Sequential Actuation.....	24
5.2 Loading the Tool.....	24
5.3 Unloading the Tool	26
5.4 Clearing a Jammed Nail.....	27
5.5 Dry-fire Lock Out Feature.....	28
5.6 Adjustment depth.....	28
6 OPERATION	29
7 MAINTENANCE	30
7.1 Cleaning.....	30
8 EU DECLARATION OF CONFORMITY	31
9 TROUBLE SHOOTING	32
10 DISPOSAL	34

1 SAFETY

1.1 SAFETY SYMBOLS



This combination of symbol and signal word indicates an imminently hazardous situation which, if not avoided, will result in death or serious injury.



OPERATION MODE

Capability of operation in single sequential actuation mode.



FASTENER BEING FIRED

This combination of symbol and signal word indicates a potentially dangerous situation that will result in material damage if not avoided.



HEAD PROTECTION!

Wear helmet!



EYE PROTECTION!

Wear eye protectors!



HEARING PROTECTION!

Wear hearing protectors!



CAUTION!

Read and understand the operating instructions before starting!

D.C.

Direct current

V

Volts

1.1.1 NOISE

The typical A-weighted noise level determined according to EN60745-2-16:

- + Sound pressure level (LpA) : 86.2 dB(A)
- + Sound power level (LWA) : 93.8 dB(A)
- + Uncertainty (K) : 3 dB(A)



CAUTION!

NOTE: The declared noise emission value(s) has been measured in accordance with a standard test method and may be used for comparing one tool with another.

NOTE: The declared noise emission value(s) may also be used in a preliminary assessment of exposure.



**HEARING
PROTECTION!**

Wear ear protection.



WARNING!

The noise emission during actual use of the tool can differ from the declared value(s) depending on the ways in which the tool is used especially what kind of workpiece is processed.



WARNING!

Be sure to identify safety measures to protect the operator that are based on an estimation of exposure in the actual conditions of use (taking account of all parts of the operating cycle such as the times when the tool is switched off and when it is running idle in addition to the trigger time).

1.1.2 VIBRATION

The vibration total value determined according to EN60745-2-16:

- + Vibration emission (ah) : 5.55 m/s² or less
- + Uncertainty (K) : 1.50 m/ s²



CAUTION!

NOTE: The declared vibration total value(s) has been measured in accordance with a standard test method and may be used for comparing one tool with another.

NOTE: The declared vibration total value(s) may also be used in a preliminary assessment of exposure.



WARNING!

The declared vibration total value(s) has been measured in accordance with a standard test method and may be used for comparing one tool with another.



WARNING!

Be sure to identify safety measures to protect the operator that are based on an estimation of exposure in the actual conditions of use (taking account of all parts of the operating cycle such as the times when the tool is switched off and when it is running idle in addition to the trigger time).

FCC:

This tool complies with part 15 of the FCC Rules.

Operation is subject to the following two conditions:

- + This tool may not cause harmful interference.
- + This tool must accept any interference received, including interference that may cause undesired operation.

1.2 GENERAL WARNING



WARNING!

- + User must wear eye protection which conforms to EN 166/ANSI Z87.1 with front and side protection against flying object; when handling, operating, and servicing the tool. It is employer's responsibility to enforce user and all other nearby personnel at worksite to wear eye protection when operating the tool.

WARNING Eye protection must be worn by the operator and other people in the work area.



EYE PROTECTION!

WARNING It is employer's responsibility to provide and enforce the use of eye protection by the operator and other people in the work area. Always wear protective goggles to protect your eyes from injury when using tools. The goggles must comply with ANSI Z87.1 in the USA, EN 166 in Europe, or AS/NZS 1336 in Australia/New Zealand. In Australia/New Zealand, it is legally required to wear a face shield to protect your face, too.



HEARING PROTECTION!

- + It is recommended to wear **ear protection** near or at the job site to prevent hearing damage. The hearing protection shall comply with the applicable requirements of EN 352 and have a Noise Reduction Rating (NRR) determined in accordance with US EPA regulations, providing an appropriate level of noise attenuation for the expected exposure.



HEAD PROTECTION!

- + **Head protection** shall conform to EN 397/ANSI Z89.1.



- + **Dress Properly.** Do not wear loose clothing or jewelry as they can be caught in moving parts. Rubber gloves and nonskid footwear are recommended when working outdoors. Wear protective hair covering to contain long hair.



WARNING!

- + Maintain tools with care. Refer to the tool maintenance instructions for detailed information on the proper maintenance of a tool.



WARNING!

- + This tool is not intended for use in explosive atmospheres or near flammable materials. Sparks generated during operation may ignite vapors or dust. Do not use the tool in such environments. Do not smoke near the tool or battery.



WARNING!

- + Inspect tool before operating to
 - Determine that tool is in proper working order.
 - Check for misalignment or binding of moving parts and any other condition that may affect tool operation.
- + Do not store the tool in temperature above 140°F (60°C). High temperature will result in explosion or fire and the release of flammable gas. When not in use, keep the tool from high temperature source or direct sun light.
- + Operate tool only in well-ventilated areas to avoid inhaling exhaust fumes. Do not inhale the exhaust or fume or the gas because they are potentially dangerous to human body.
- + Keep body balance when operating the tool, do not over reach.
- + Keep the tool, charger and battery out of the reach of children. The tool is dangerous in the hand of untrained person.
- + **When the tool is not in use, it should be placed horizontally. When the tool is placed, avoid the safety being squeezed.**
- + **Do not use assistive devices to make the tool stand upright. If forced to stand, the tool may be triggered unintentionally.**
- + Always check the tool before use for broken, misconnected or worn parts.
- + Do not use a tool if the tool has been damaged.
- + Only technically skilled operators should use the fastener driving tool.
- + Do not discard the safety instructions.
- + Be careful when handling fasteners, especially when loading and unloading, as the fasteners have sharp points which could cause injury.
- + Only wear gloves that provide adequate feel and safe control of triggers and any adjusting devices.



1.3 GENERAL BATTERY TOOL SAFETY WARNINGS



Read all safety warnings and all instructions. Failure to follow the warnings and instructions may result in electric shock, fire and/or serious injury.

Save all warnings and instructions for future reference.

The term „tool“ in the warnings refers to your battery tool.

1) WORK AREA SAFETY

- a) **Keep work area clean and well lit.** Cluttered or dark areas invite accidents.
- b) **Do not operate tools in explosive atmospheres, such as in the presence of flammable liquids, gases or dust.** Tools create sparks which may ignite the dust or fumes.
- c) **Keep children and bystanders away while operating a tool.** Distractions can cause you to lose control.

2) ELECTRICAL SAFETY

Do not expose tools to rain or wet conditions. Water entering a tool will increase the risk of electric shock.

3) PERSONAL SAFETY

- a) Stay alert, watch what you are doing and use common sense when operating a tool. Do not use a tool while you are tired or under the influence of drugs, alcohol or medication. A moment of inattention while operating tools may result in serious personal injury.
- b) Use personal protective equipment. Always wear eye protection. Protective equipment such as dust mask, non-skid safety shoes, hard hat, or hearing protection used for appropriate conditions will reduce personal injuries.
- c) Prevent unintentional starting. Ensure the switch is in the off- position before connecting to battery, picking up or carrying the tool. Carrying tools with your finger on the switch or energizing tools that have the switch on invites accidents.
- d) Remove any adjusting key or wrench before turning the battery tool on. A wrench or a key left attached to a rotating part of the tool may result in personal injury.

- e) Do not overreach. Keep proper footing and balance at all times. This enables better control of the tool in unexpected situations.
- f) Dress properly. Do not wear loose clothing or jewelry. Keep your hair, clothing and gloves away from moving parts. Loose clothes, jewelry or long hair can be caught in moving parts.
- g) If devices are provided for the connection of dust extraction and collection facilities, ensure these are connected and properly used. Use of dust collection can reduce dust-related hazards.
- h) Do not let familiarity gained from frequent use of tools allow you to become complacent and ignore tool safety principles. A careless action can cause severe injury within a fraction of a second.

4) TOOL USE AND CARE

- a) Do not force the tool. Use the correct tool for your application. The correct tool will do the job better and safer at the rate for which it was designed.
- b) Do not use the tool if the switch does not turn it on and off. Any tool that cannot be controlled with the switch is dangerous and must be repaired.
- c) Disconnect the battery pack from the tool before making any adjustments, changing accessories, or storing tools. Such preventive safety measures reduce the risk of starting the tool accidentally.
- d) Store idle tools out of the reach of children and do not allow persons unfamiliar with the tool or these instructions to operate the tool. Tools are dangerous in the hands of untrained users.
- e) Maintain tools. Check for misalignment or binding of moving parts, breakage of parts and any other condition that may affect the tool's operation. If damaged, have the tool repaired before use. Many accidents are caused by poorly maintained tools.
- f) Use the tool and its accessories only as described in these instructions, and consider the working conditions and the work to be performed. Using the tool for purposes other than those intended may result in a hazardous situation.
- g) Keep handles and grasping surfaces dry, clean and free from oil and grease. Slippery handles and grasping surfaces do not allow for safe handling and control of the tool in unexpected situations.

- h) Use battery tools only with specifically designated battery packs. Use of any other battery packs may create a risk of injury and fire.
- i) When battery pack is not in use, keep it away from other metal objects, like paper clips, coins, keys, nails, screws or other small metal objects, that can make a connection from one terminal to another. Shorting the battery terminals together may cause burns or a fire.
- j) Under abusive conditions, liquid may be ejected from the battery; avoid contact. If contact accidentally occurs, flush with water. If liquid contacts eyes, additionally seek medical help. Liquid ejected from the battery may cause irritation or burns.
- k) Do not use a battery pack or tool that is damaged or modified. Damaged or modified batteries may exhibit unpredictable behaviour resulting in fire, explosion or risk of injury.
- l) Do not expose a battery pack or tool to fire or excessive temperature. Exposure to fire or temperature above 130°C may cause explosion.
- m) Follow all charging instructions and do not charge the battery pack or tool outside the temperature range specified in the instructions. Charging improperly or at temperatures outside the specified range may damage the battery and increase the risk of fire.

6) SERVICE

Have your tool serviced by a qualified repair person using only identical replacement parts. This will ensure that the safety of the tool is maintained.

2 SAFETY INSTRUCTIONS FOR FRAMING NAILER

2.1 FRAMING NAILER SAFETY WARNINGS



- + **Always assume that the tool contains fasteners.** Careless handling of the tool can result in unexpected firing of fasteners and personal injury.
- + **Do not point the tool towards yourself or anyone nearby.** Unexpected triggering will discharge the fastener causing an injury.
- + **Do not actuate the tool unless the tool is placed firmly against the workplace.** If the tool is not in contact with the workplace, the fastener may be deflected away from your target.
- + **Disconnect the tool from the battery when the fastener jams in the tool.** While removing a jammed fastener, the tool may be accidentally activated if it is plugged in.
- + **Use caution while removing a jammed fastener.** The mechanism may be under compression and the fastener may be forcefully discharged while attempting to free a jammed condition.
- + Tool user should assess the specific risks that may be present as a result of each use.
- + The tool shall be disconnected when unloading fasteners, making adjustments, clearing jams or changing accessories.
- + The tool should not be modified unless authorized in the tool manual or approved in writing by the tool manufacturer. The tool may function unexpectedly after the modification and cause danger.
- + Do not drive this tool over materials that is too hard or too soft. Hard material can ricochet fastener and hurt people, soft material may be penetrate easily and cause the fastener to free fly.
- + Please keep the tool in clean condition, wipe off grease or oil after work. Do not use any solvent based cleaners to clean the tool. It is possible the solvent will deteriorate the rubber or plastic components on the tool. Greasy handle and body will cause accidental drop of the tool and injury to nearby person.
- + Do not use the tool to perform other job than designate function. Especially not use the tool as a hammer, impact on the tool will increase the risk of cracked body and accidental discharge of fastener.
- + Load the fastener at last to prevent unexpected fastener firing when loading battery.

+ OPERATING CONTROLS**OPERATION
MODE**

- Do not use a tool with missing or damaged safety warning label(s).
- A tool that is not in proper working order must not be used. Tags and physical segregation shall be used for control.
- Do not remove, tamper with, or otherwise cause tool operating controls to become inoperable.
- Do not operate tool if any portion of the tool operating controls is inoperable, disconnected, altered, or not working properly.

+ TOOL HANDLING**FASTENER
BEING FIRED**

- Only persons who have read and understand the tool operating/safety instructions should operate the tool.
- Always assume that tool contains fasteners.
- Do not point tool toward yourself or anyone whether it contains fasteners or not.
- Keep bystanders and children away while operating tool.
- Do not actuate tool unless tool is placed firmly against the workpiece.
- Respect tool as a working implement.
- Do not engage in horseplay.
- Stay alert, focus on your work and use common sense when working with tools.
- Do not use tool while tired, after having consumed drugs or alcohol, or while under the influence of medication.
- Do not overreach. Keep proper footing and balance at all times.
- Do not hold or carry tool with a finger on the trigger.
- Drive fasteners into proper work surface only.
- Do not drive fasteners into other fasteners.

- After driving a fastener, tool may spring back (“recoil”) causing it to move away from the work surface. To reduce risk of injury always manage recoil by:
 - always maintaining control of tool.
 - allowing recoil to move tool away from work surface.
 - keeping face and body parts away from tool.
- When working close to an edge of a workpiece or at steep angles use care to minimize chipping, splitting or splintering, or free flight or ricochet of fasteners, which may cause injury.
- Keep hands and body away from the fastener discharge area of the tool.
- Do not load tool with fasteners when any one of the operating controls is activated.
- Do not operate tool with any power source other than that specified in tool operating/ safety instructions.
- Use extra caution when driving fasteners into existing walls or other blind areas to prevent contact with hidden objects or persons on other side (e.g., wires, pipes.)

+ REMOVE THE BATTERY WHEN

- Not in use
- Performing any maintenance or repairs
- Clearing a jam
- Elevating, lowering or otherwise moving the tool to a new location
- Tool is outside of the operator’s supervision or control, or
- Removing fasteners from the magazine

2.2 RECOMMENDED FASTENERS AND ACCESSORIES

- + Use only fasteners made or recommended by the tool manufacturer, or fasteners that perform equivalently to those recommended by the manufacturer.
- + Use only accessories made or recommended by the tool manufacturer, or accessories that perform equivalently to those recommended by the manufacturer.

Remarks: Accessories not included, battery, battery charger and fasteners. Please refer to the technical data sheet for their specifications.

3 TOOL SPECIFICATIONS

3.1 TECHNICAL DATA

FSN33-90 BC CORDLESS FRAMING NAILER	
Model	FSN33-90 BC
Firing Mode	Single Sequential Actuation
Voltage	18 V
Height	360 mm 14.17"
Width	155 mm 6.10"
Length	320 mm 12.60"
Tool Weight	4.47 kg 9.85 lbs
Tool and Battery Weight	5.05 kg 11.13 lbs
Collation Angle	33°
Nail Length Range	50 - 90 mm 2 - 3 ½"
Loading Capacity	57 Nails

4 BATTERY

4.1 BATTERY LEVEL DISPLAY

BATTERY POWER	LIGHT SIGNAL
>80%	
60%	
40%	
>20%	

4.2 BATTERY SPECIFICATION

BATTERY SPECIFICATION	CAS 18 V LiHD 4.0 Ah
Rated Voltage	18 V
Rated Capacity	4.0 Ah
Cell type	LiHD
Dimension	123 x 83 x 47 mm (L x W x H) 4,84" x 3,27" x 1,85" (L x W x H)
Energy	72 Wh
Weight	580 g 1.28 lbs

LED-DISPLAY	
Battery empty	LED 1 <20%, 2 times flashing
Electronic awake	LED 4, short flashing each 15 sec
Overvoltage, Wire break	LED 1, 2 and 4, short flashing each 15 sec

4.3 BATTERY CHARGER SPECIFICATION

BATTERY CHARGER SPECIFICATION	
Charger	ASC 145 DUO, 12-36 V, „AIR COOLED“, EU
Battery voltage	12 – 36 V
Mains voltage	220 – 240 V
Mains frequency	50 – 60 Hz
Max. charging current	8 A
Output rating	145 W
Charging time for 18 V 4.0 Ah	30 min
Charging time for 18 V 8.0 Ah	60 min
Weight	1490 g 3.28 lbs

BATTERY CHARGER SPECIFICATION	
Charger	ASC 55, 12-36 V, „AIR COOLED“, EU
Battery voltage	12 – 36 V
Mains voltage	220 – 240 V
Mains frequency	50 – 60 Hz
Max. charging current	3 / 4 A
Output rating	55 W
Charging time for 18 V 4.0 Ah	80 min
Charging time for 18 V 8.0 Ah	160 min
Weight	582 g 1.28 lbs

4.4 BATTERY & CHARGER SAFETY WARNING

- + Do not throw the battery into fire, nor heat the battery.
- + Do not disassemble nor modify the battery pack.
- + Do not leave the battery in a place of high temperature (140°F/60°C or more).
- + Protect the battery from water or moisture.
- + Do not add strong shock, nor drop the battery.
- + Do not solder lead directly to the battery body.
- + Do not heat nor solder the terminals of the battery.
- + Do not short “+”and “-“terminal of the battery with a kind of metal.
- + Do not charge the battery beyond the conditions specified in the delivery documentation.
- + Do not reverse-charge or reverse-connect the battery.
- + When recharging, use the battery charger specifically for that ASC 145 DUO & ASC 55.
- + We suggest that the voltage of battery should not be lower than end voltage/cell when working and storing, or it may cause unrecoverable decay in its capacity.
- + If the battery is stored for more than three months, check its remaining capacity and recharge it if necessary.

Remarks: Please refer to the technical data sheet for the battery

- + DO NOT SHORT CIRCUIT. A battery pack will short circuit if a metal object makes a connection between the positive and negative contacts on the battery pack. Do not place a battery pack near anything that may cause a short circuit, such as coins, keys or nails in your pocket. Do not allow fluids to flow into battery pack. Corrosive or conductive fluids, such as seawater, certain industrial chemicals, and bleach or bleach containing products, etc., can cause a short circuit. A short circuited battery pack may cause fire, personal injury, and product damage.
- + DO NOT DISASSEMBLE. Incorrect reassembly may result in the risk of electric shock, fire or exposure to battery chemicals. If it is damaged, take it to a service facility.
- + AVOID DANGEROUS ENVIRONMENTS. Do not charge battery pack in rain, snow, damp or wet locations. Do not use battery pack or charger in the presence of explosive atmospheres (gaseous fumes, dust or flammable materials) because sparks may be generated when inserting or removing battery pack, possibly causing fire.
- + Do not short the battery cartridge:
 - 1) Do not touch the terminals with any conductive material.
 - 2) Avoid storing battery cartridge in a container with other metal objects such as nails, coins, etc.
 - 3) Do not expose battery cartridge to water or rain.
- + A battery short can cause a large current flow, overheating, possible burns and even a breakdown.
- + Keep work area clean and well lit. Cluttered and dark areas invite accidents.
- + Do not operate the appliance in explosive atmospheres, such as in the presence of flammable liquids, gases or dust. Chargers can cause sparks which may ignite dust or fumes.
- + Keep children and other persons away from the area while the charger is in use.
- + The supply cord plug must match the outlet. Modification of the plug in any way is not permissible. Unmodified plugs and corresponding power outlets reduce the risk of electric shock.
- + Avoid body contact with earthed or grounded surfaces such as pipes, radiators, ranges and refrigerators. There is an increased risk of electric shock if your body is earthed or grounded.
- + Do not abuse the supply cord. Never use the supply cord to carry, pull or unplug the appliance. Keep the cord away from heat, oil, sharp edges or moving parts. Damaged or entangled cords increase the risk of electric shock.
- + Only use the battery charger in areas which are dry. Water entering an electric appliance increases the risk of electric shock.
- + Use the charger only to charge the batteries approved of use of this charger.

- + Do not use a charger if its casing or electric supply cord is defective.
- + Store chargers out of reach of children when not in use. Do not allow persons unfamiliar with the appliance or these instructions to operate it. Chargers are dangerous in the hands of untrained users.
- + Maintain the tool carefully. Check to ensure that no parts are broken or damaged in such a way that the tool can no longer function correctly. If any parts are damaged, have the tool repaired before use.
- + Use chargers and the corresponding batteries in accordance with these instructions and as is specified for this particular model. Use of chargers for applications different from those intended could result in hazardous situations.
- + Recharge only with the charger specified by the manufacturer. A charger that is suitable for one type of battery pack may create a risk of fire when used with another battery pack.
- + When not in use, keep the battery and the charger away from paper clips, coins, keys, nails, screws or other small metal objects that could cause a short circuit at the battery terminals or the charging contacts. A short circuit at the battery terminals or charging contacts could result in personal injury (burns) or fire.
- + Under abusive conditions, liquid may be ejected from the battery, Avoid contact with the liquid. If contact accidentally occurs, flush with water. If the liquid comes into contact with the eyes also consult a doctor. Liquids ejected from the battery may cause irritation or burns.
- + Take care to ensure that the charger is standing in a steady, secure position. A falling battery or charger may present a risk of injury to yourself or others.
- + Avoid touching the contacts.
- + Batteries that have reached the end of their life must be disposed of safely and correctly to avoid environmental pollution.
- + This appliance is not intended for use by persons (including children) with reduced physical, sensory or mental capabilities, or lack of experience and knowledge, unless they have been given super-vision or instruction concerning use of the appliance by a person responsible for their safety.
- + Children must be instructed not to play with the tool.
- + Take care to ensure that the batteries suffer no mechanical damage.
- + Do not charge or continue to use damaged batteries (e.g. batteries with cracks, broken parts, bent or pushed-in and/or pulled-out contacts).

+ Do not touch the supply cord or extension cord if they are damaged while working. Disconnect the supply cord plug from the power outlet. Damaged supply cords or extension cords present a risk of electric shock.



+ Never operate the tool when it is dirty or wet. Under unfavorable conditions, moisture or dust adhering to the tool's surface—especially conductive dust—may create a risk of electric shock. Dirty or dusty tools should therefore be checked regularly at a service center.

5 FUNCTIONAL DESCRIPTION

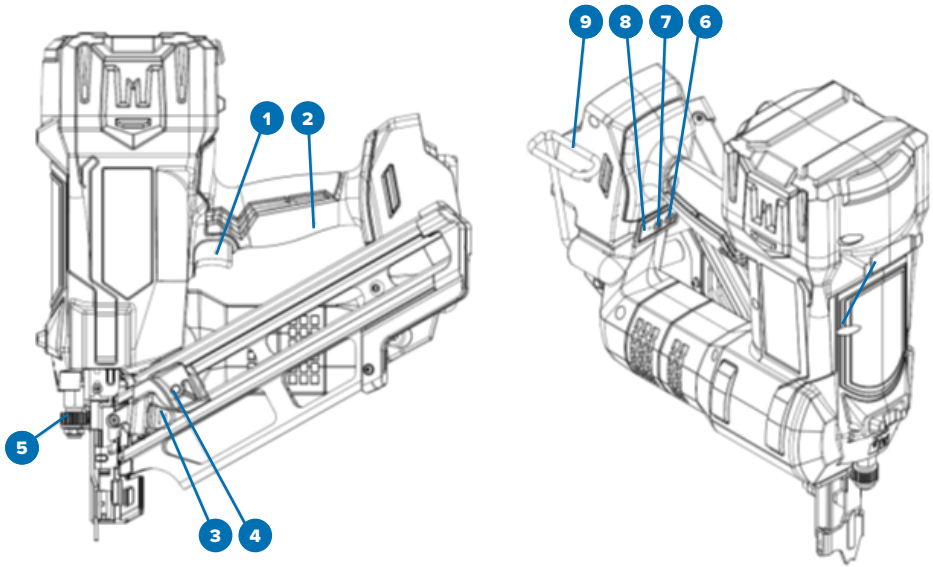


Figure 1: Tool Functional description

- | | | | |
|----------|-------------------------------|----------|--------------------------------|
| 1 | Trigger | 6 | Actuation Switch Button |
| 2 | Handle | 7 | Reset Button |
| 3 | Nail Feeder | 8 | LED |
| 4 | Feeder Knob | 9 | Hook |
| 5 | Depth Adjustment Wheel | | |

5.1 SINGLE SEQUENTIAL ACTUATION

1. Fully depress nosepiece against the work surface.
2. Pull trigger (fastener will drive into work surface).
3. Release trigger.
4. Lift nosepiece off work surface.
5. Repeat steps 1 through 4 for next application.

5.2 LOADING THE TOOL



OPERATION MODE

Keep the tool pointed away from yourself and others. Serious personal injury may result.



WARNING!

Never load fasteners with the safety or trigger activated. Personal injury may result.



WARNING!

Always remove battery pack before loading or unloading fasteners. Serious personal injury may result.

2-ACTION NAIL FEEDING

- 1) Insert nail strip into the back of the magazine.

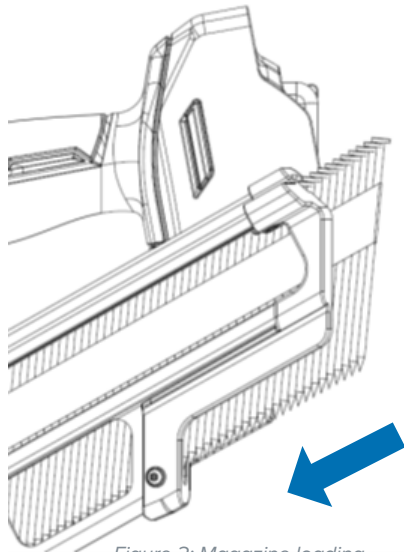


Figure 2: Magazine loading

2) Slide the nail strip forward in the magazine.

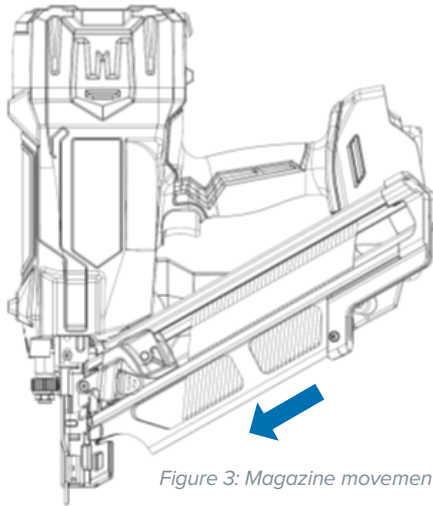


Figure 3: Magazine movement

3) Pull the feeder knob back to engage the nail feeder to the nail strip.

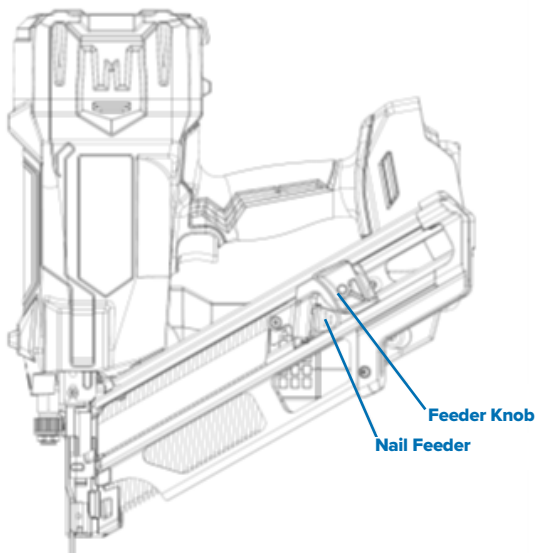


Figure 4: Nail feeder



- + Gently set the nail feeder and feeder knob against the nails. If the nail feeder and feeder knob are released from backward the magazine and bumped against the nail, the connecting paper or plastic of the nail can be damaged.
- + Use nail strip of more than 10 nails.
- + Use only unbroken nail strips with nails of the same length.

5.3 UNLOADING THE TOOL



- + Pull the feeder knob backward.
- + Return the feeder knob forward quietly while pushing the nail feeder.
- + Pull out nails from the back of the magazine.

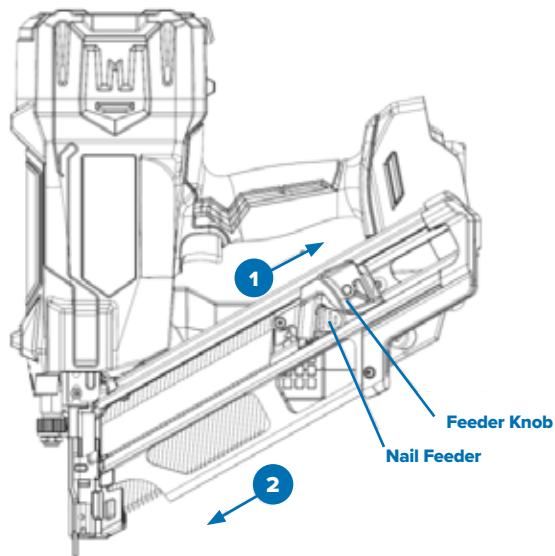


Figure 5: Unloading the tool

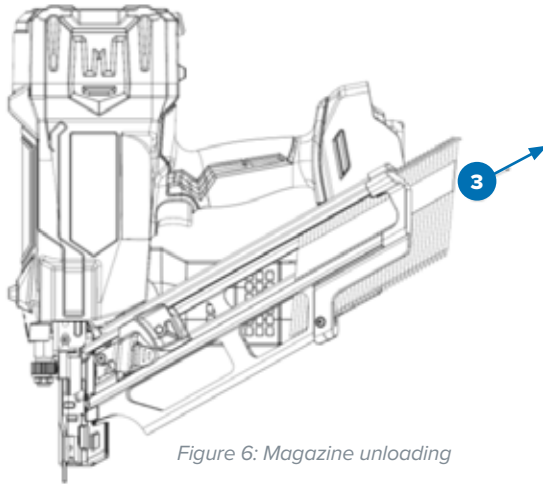


Figure 6: Magazine unloading

5.4 CLEARING A JAMMED NAIL

If a nail becomes jammed in the nosepiece, keep the tool pointed away from you and follow these instructions to clear:

- + Remove battery pack from tool.
- + Remove any loaded nails.
- + Remove the bolts with wrench (three bolts in total).
- + Pull magazine away from the firing head, and clear jam.
- + Attach the magazine to the injector and tighten with the bolts.
- + Reinsert battery pack. NOTE: The tool will disable itself and not reset until the battery pack has been removed and reinserted.
- + Reinsert nails into magazine.
- + Should nails continue to jam frequently in nosepiece, have tool serviced by an authorized service center.

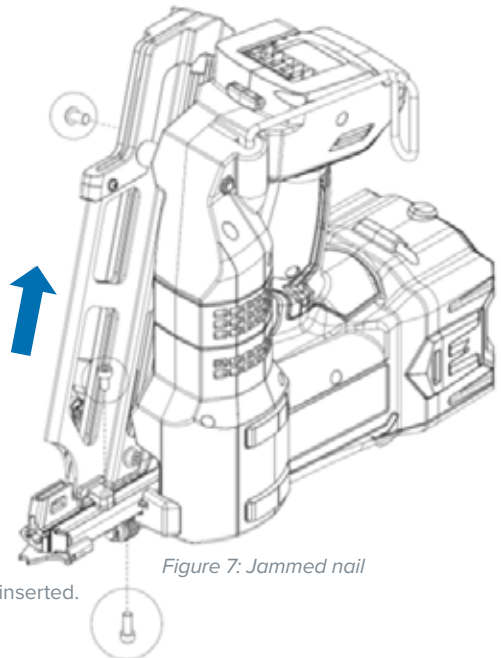


Figure 7: Jammed nail

5.5 DRY-FIRE LOCK OUT FEATURE

- + Tool is equipped with a dry-fire lock out feature to prevent tool from cycling when there are no fasteners loaded.

5.6 ADJUSTMENT DEPTH

- + The driving depth of the fastener can be adjusted using the depth adjustment wheel located on the front of the tool.



To reduce the risk of serious injury from accidental actuation when adjusting the depth, ALWAYS:

- + Deinstall battery pack.
- + Avoid contact with trigger during adjustments.

6 OPERATION

**WARNING!**

To reduce the risk of serious personal injury, turn unit off and remove the battery pack before making any adjustments or removing / installing attachments or accessories. An accidental start-up can cause injury.

Installing and Removing the Battery Pack

- + To install the battery pack into the tool handles, align the battery pack with the rails inside the tool's handle and slide it into the handle until the battery pack is firmly seated in the tool and ensure that it does not disengage.
- + To remove the battery pack from the tool, press the release button and firmly pull the battery pack out of the tool handles. Insert it into the charger as described in the charger section of this manual.

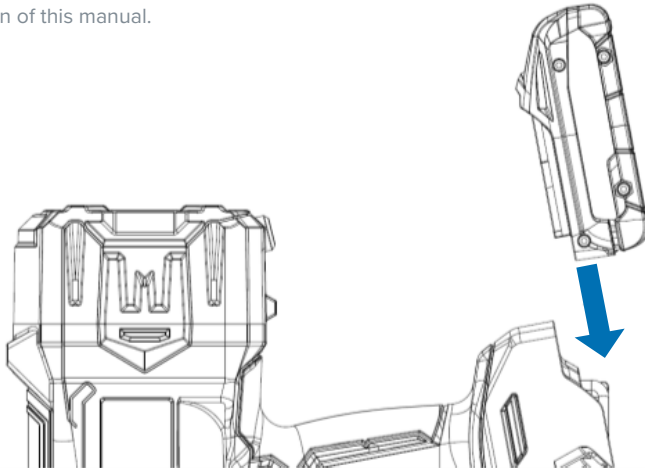


Figure 8: Installing battery pack

**WARNING!****EYE PROTECTION!**

Always wear proper eye and hearing protection when operating tool.

**HEARING PROTECTION!**

KEEP FINGERS AWAY from trigger when not driving fasteners to avoid accidental fastener discharge.

**FASTENER
BEING FIRED**

NEVER carry tool with finger on trigger.

7 MAINTENANCE

- + The employer and tool operator are responsible for assuring that the tool is kept in safe working order. Furthermore only service personnel trained by the manufacturer, distributor, or employer shall repair the tool and shall use the parts or accessories that are supplied or recommended by the tool manufacturer/distributor.
- + **CAUTION:** disconnect the battery before performing any maintenance.
- + Keep the tool in clean condition at all times. Wipe off grease or oil with dry clean cloth to prevent accidental tool drop. Avoid using solvent-based cleaners to remove dirt from the tool. Certain solvent will damage or weaken the composite parts of the tool. Clean the intake filter regularly to keep the tool in full efficiency.
- + **NEVER** use a tool if there is any doubt.
- + **WASTE DISPOSAL** Follow national regulations for waste disposal so as not to impose hazards to personnel and the environment (page 34).

7.1 CLEANING



Blow dirt and dust out of all air vents with clean, dry air at least once a week. To reduce the risk of eye injury, always wear approved eye protection when performing this maintenance.



Never use solvents or other harsh chemicals to clean the non-metallic parts of the tool. These substances may weaken the plastics used in these components. Use a cloth dampened only with water and mild soap. Never allow any liquid to enter the tool, and never immerse any part of the tool in liquid.

COLD WEATHER

- + This tool is not suggested to be used in cold weather. The cold weather will decrease the combustion efficiency and also the battery performance. Use the tool only at temperature above 23°F (-5°C).

STORAGE

- + When not in use for an extended period, apply a thin coat of the lubricant to the steel parts to avoid rust. Do not store the tool in a cold weather environment. When not in use, the tool should be stored in a warm and dry place. Keep out of reach from children.

8 EU DECLARATION OF CONFORMITY

This verifies that the product specified below complies with the regulations of the following European directives:

Machinery directive: EMC Directive 2014/30/EU, RoHS Directive 2011/65/EU; 2006/42 EC

Product name: FSN33-90 BC Cordless Framing Nailer

Department designated with documentation

R&D

The manufacturer

Company: Raimund BECK KG, Wire Staples Company (WSC)

Address: Raimund Beck Strasse 1

5270 Mauerkirchen

AUSTRIA

The following harmonised standards have been applied:

2006/42/EC (MSD)

2014/35/EU (LVD)

2014/30/EU (EMC)

2012/19/EU (WEEE)

2011/65/EU (RoHS)

EN 60745-1

EN 60745-2-16

EN 60335-1

EN 60335-2-29

EN 62133-2

EN 55014-1

EN IEC 55014-2

5270 Mauerkirchen, 1 October, 2025



Dipl.-Kfm. Christian Beck
Chief Executive Officer (CEO)

9 TROUBLE SHOOTING

SYMPTOM	OCCURRED ABNORMAL	TROUBLE SHOOTING
Red light flashes 1 times	The tool is over current (1)	Press the trigger to restart.
Red light flashes 2 times	The tool is over current (2)	
Red light flashes 3 times	The tool is over current (3)	
Red light flashes 4 times	Battery low voltage	<ul style="list-style-type: none"> • Leave Tool, reinsert the battery, and press the trigger.
Red light flashes 5 times	Battery overvoltage	<ul style="list-style-type: none"> • Replace a fully charged battery, and press the trigger.
Red light flashes 6 times	Wrong Battery or the battery is broken	<ul style="list-style-type: none"> • Ensure that the correct battery is used. • Replace a fully charged battery, and press the trigger.
Red light flashes 7 times	Battery overtemperature (149°F/65°C)	Remove battery, wait temperature recover and reinsert battery.
Red light flashes 8 times	Battery low temperature (14°F/-10°C)	
Red light flashes 9 times	The tool motor is stalled.	<ul style="list-style-type: none"> • Leave the tool, reinsert the battery and press the trigger. • Remove battery, wait temperature recover and reinsert battery.
Red light flashes 10 times	Motor temperature abnormal	<ul style="list-style-type: none"> • Leave the tool, reinsert the battery and press the trigger. • Remove battery, wait temperature recover and reinsert battery.
Red light flashes 11 times	The tool drive blade is at wrong position.	<p>Perform drive blade reset procedure:</p> <ol style="list-style-type: none"> 1. Press and hold the RESET button to enter the forced return mode. In this mode, the green light will flash. 2. While pressing the contact safety against the workpiece, push the trigger. <p>The drive blade will be forced back to the top dead center.</p>

SYMPTOM	OCCURRED ABNORMAL	TROUBLE SHOOTING
Red light flashes 12 times	Controlboard over temperature	<ul style="list-style-type: none"> • Leave the tool, reinsert the battery and press the trigger. • Remove battery, wait temperature recover and reinsert battery.
The red and green LED indicator lights flash alternately and the tool can still operate.	The cumulative number of shots exceeds 15,000 times.	Return to manufacturer/distributor to replace wearing parts.
Red and Green LED indicator light flashes interactive and tool is inoperable.	The cumulative number of shots exceeds 20,000 times.	Return to manufacturer/distributor to replace wearing parts.

For failure other than above situation, please stop using the tool and contact your local dealer for service.

Please send the tool back to the tool manufacturer/distributor, if failure other than those as tabulated above occurs.

11 DISPOSAL



Environmental damage may occur in the event of improper disposal. Clean the tool before disposal. Follow all applicable regulations for disposing of oils and greases. Do not dispose of this tool, including the battery and charger, with household waste. Take the tool to an appropriate recycling facility in accordance with local regulations.



Never dispose of the tool or any of its parts with normal household waste. If you wish to dispose of the tool, please return it to the manufacturer. The manufacturer and authorized dealers are responsible for proper disposal of the tool. The manufacturer's contact details can be found on page 31.

CAUTION

**Improper disposal causes environmental damage!
Please follow the applicable disposal regulations.**



RAIMUND BECK KG

Raimund-Beck-Strasse 1

AUSTRIA

Tel.: +43 7724 2111-0

www.beck-fastening.com

E-Mail: sales.int@beck-fastening.com



RAIMUND BECK KG. All rights reserved. In particular, copying, translating, and distributing this documentation is strictly prohibited.

VERSION EN 25/09