

BN18-55 BC **CORDLESS** **BRAD NAILER**

OPERATION MANUAL





CAUTION!

IMPROPER AND UNSAFE USE OF THIS BRAD NAILER WILL RESULT IN DEATH OR SERIOUS INJURY. IT IS VERY IMPORTANT THAT THE INTENDED OPERATOR OF THIS TOOL READS AND UNDERSTANDS THIS MANUAL BEFORE OPERATING THIS TOOL. KEEP THIS MANUAL AVAILABLE FOR OTHERS BEFORE THEY USE THE BRAD NAILER.



WARNING!

PLEASE KEEP THIS MANUAL IN SAFE PLACE FOR FUTURE REFERENCE.



OPERATION MODE

WARNING: Please read the instructions and warnings for this tool carefully before use. Failure to do so could lead to serious injury.

TABLE OF CONTENT

1 SAFETY	4
1.1 Safety Symbols	4
1.2 General Warning	7
1.3 General Battery Tool Safety Warnings.....	9
2 SAFETY INSTRUCTIONS FOR BRAD NAILER	11
2.1 Brad Nailer Safety Warnings	11
2.1 Recommended Fasteners and Accessories	14
3 TOOL SPECIFICATIONS	15
4 BATTERY	16
4.1 Battery Level Display.....	16
4.2 Battery Specification	16
4.3 Battery Charger Specification	17
4.4 Battery & Charger Safety Warning.....	18
5 FUNCTIONAL DESCRIPTION	22
5.1 Single Sequential Actuation & Continual Actuation	23
5.2 Loading the Tool.....	25
5.3 Unloading the Tool	25
5.4 Clearing a Jammed Fastener	26
5.5 Dry-Fire Lock Out Feature.....	27
5.6 Adjustment Depth	27
6 ASSEMBLY AND INSTRUCTION	28
7 OPERATION	29
7.1 No-Mar Tip.....	30
8 MAINTENANCE	31
8.1 Cleaning	31
9 TROUBLE SHOOTING	32
10 EU DECLARATION OF CONFORMITY	33
11 DISPOSAL	34

1 SAFETY

1.1 SAFETY SYMBOLS



This combination of symbol and signal word indicates an imminently hazardous situation which, if not avoided, will result in death or serious injury.



OPERATION MODE

Capability of operation in contact actuation mode.



FASTENER BEING FIRED

This combination of symbol and signal word indicates a potentially dangerous situation that will result in material damage if not avoided.



HEAD PROTECTION!

Wear helmet!



EYE PROTECTION!

Wear eye protectors!



HEARING PROTECTION!

Wear hearing protectors!



CAUTION!

Read and understand the operating instructions before starting!

D.C.

Direct current

V

Volts

1.1.1 NOISE

The typical A-weighted noise level determined according to EN60745-2-16:

- + Sound pressure level (LpA) : 80.9 dB(A)
- + Sound power level (LWA) : 86.7 dB(A)
- + Uncertainty (K) : 3 dB(A)



CAUTION!

NOTE: The declared noise emission value(s) has been measured in accordance with a standard test method and may be used for comparing one tool with another.

NOTE: The declared noise emission value(s) may also be used in a preliminary assessment of exposure.



**HEARING
PROTECTION!**

Wear ear protection



WARNING!

The noise emission during actual use of the tool can differ from the declared value(s) depending on the ways in which the tool is used especially what kind of workpiece is processed.



WARNING!

Be sure to identify safety measures to protect the operator that are based on an estimation of exposure in the actual conditions of use (taking account of all parts of the operating cycle such as the times when the tool is switched off and when it is running idle in addition to the trigger time).

1.1.2 VIBRATION

The vibration total value determined according to EN60745-2-16:

- + Vibration emission (ah) : 2.28 m/s² or less
- + Uncertainty (K) : 1.50 m/ s²



CAUTION!

NOTE: The declared vibration total value(s) has been measured in accordance with a standard test method and may be used for comparing one tool with another.

NOTE: The declared vibration total value(s) may also be used in a preliminary assessment of exposure.



WARNING!

The declared vibration total value(s) has been measured in accordance with a standard test method and may be used for comparing one tool with another.



WARNING!

Be sure to identify safety measure to protect the operator that are based on an estimation of exposure in the actual conditions of use (taking account of all parts of the operating cycle such as the times when the tool is switched off and when it is running idle in addition to the trigger time).

1.2 GENERAL WARNING



WARNING!

- + User must wear eye protection which conforms to EN 166/ANSI Z87.1 with front and side protection against flying object; when handling, operating, and servicing the tool. It is employer's responsibility to enforce user and all other nearby personnel at worksite to wear eye protection when operating the tool.



EYE PROTECTION!

WARNING Eye protection must be worn by the operator and other people in the work area.

WARNING It is employer's responsibility to provide and enforce the use of eye protection by the operator and other people in the work area.



HEARING PROTECTION!

- + It is recommended to wear **ear protection** near or at the job site to prevent hearing damage. The hearing protection shall comply with the applicable requirements of EN 352 and have a Noise Reduction Rating (NRR) determined in accordance with US EPA regulations, providing an appropriate level of noise attenuation for the expected exposure.



HEAD PROTECTION!

- + **Head protection** shall conform to EN 397/ANSI Z89.1.



- + **Dress Properly.** Do not wear loose clothing or jewelry as they can be caught in moving parts. Rubber gloves and nonskid footwear are recommended when working outdoors. Wear protective hair covering to contain long hair.



WARNING!

- + Maintain tools with care. Refer to the tool maintenance instructions for detailed information on the proper maintenance of a tool.



WARNING!

- + This tool is not intended for use in explosive atmospheres or near flammable materials. Sparks generated during operation may ignite vapors or dust. Do not use the tool in such environments. Do not smoke near the tool or battery.



WARNING!

- + Inspect tool before operating to
 - Determine that tool is in proper working order.
 - Check for misalignment or binding of moving parts and any other condition that may affect tool operation.
- + Do not store the tool in temperature above 120°F (49°C). High temperature will result in explosion or fire and the release of flammable gas. When not in use, keep the tool from high temperature source or direct sun light.

- + The tool needs to be used in well ventilated areas. Do not inhale the exhaust or fume or the gas because they are potentially dangerous to human body.
- + Keep your balance when operating the tool; do not overreach.
- + Keep the tool, charger, and battery out of reach of children. The tool can be dangerous if used by untrained persons.



- + **When the tool is not in use, it should be placed horizontally. When the tool is placed, avoid the safety being squeezed.**



- + **Do not use assistive devices to make the tool stand upright. If forced to stand, the tool may be triggered unintentionally.**
- + Always check the tool before use for broken, misconnected or worn parts.
- + Do not use a tool if the tool has been damaged.
- + Only technically skilled operators should use the fastener driving tool.
- + Do not discard the safety instructions.
- + Be careful when handling fasteners, especially when loading and unloading, as the fasteners have sharp points which could cause injury.
- + Only wear gloves that provide adequate feel and safe control of triggers and any adjusting devices.

1.3 GENERAL BATTERY TOOL SAFETY WARNINGS



Read all safety warnings and all instructions. Failure to follow the warnings and instructions may result in electric shock, fire and/or serious injury.

Save all warnings and instructions for future reference.

The term „tool“ in the warnings refers to your battery tool.

1) WORK AREA SAFETY

- a) **Keep work area clean and well lit.** Cluttered or dark areas invite accidents.
- b) **Do not operate tools in explosive atmospheres, such as in the presence of flammable liquids, gases or dust.** Tools create sparks which may ignite the dust or fumes.
- c) **Keep children and bystanders away while operating a tool.** Distractions can cause you to lose control.

2) ELECTRICAL SAFETY

- a) Do not expose tools to rain or wet conditions. Water entering a tool will increase the risk of electric shock.

3) PERSONAL SAFETY

- a) Stay alert, watch what you are doing and use common sense when operating a tool. Do not use a tool while you are tired or under the influence of drugs, alcohol or medication. A moment of inattention while operating tools may result in serious personal injury.
- b) Use personal protective equipment. Always wear eye protection. Protective equipment such as a dust mask, non-skid safety shoes, a hard hat, or hearing protection, used under appropriate conditions, will reduce personal injury.
- c) Prevent unintentional starting. Ensure the switch is in the OFF position before connecting to the battery, picking up, or carrying the tool. Carrying tools with your finger on the switch or energizing tools that have the switch ON can cause accidents.
- d) Remove any adjusting key or wrench before turning the battery tool on. A wrench or a key left attached to a rotating part of the tool may result in personal injury.

- e) Do not overreach. Keep proper footing and balance at all times. This enables better control of the tool in unexpected situations.
- f) Dress properly. Do not wear loose clothing or jewelry. Keep your hair, clothing and gloves away from moving parts. Loose clothes, jewelry or long hair can be caught in moving parts.
- g) If devices are provided for the connection of dust extraction and collection facilities, ensure these are connected and properly used. Use of dust collection can reduce dust-related hazards.

4) TOOL USE AND CARE

- a) Do not force the tool. Use the correct tool for your application. The correct tool will do the job better and safer at the rate for which it was designed.
- b) Do not use the tool if the switch does not turn it ON and OFF. Any tool that cannot be controlled with the switch is dangerous and must be repaired.
- c) Disconnect the battery pack from the tool before making any adjustments, changing accessories, or storing tools. Such preventive safety measures reduce the risk of starting the tool accidentally.
- d) Store idle tools out of the reach of children and do not allow persons unfamiliar with the tool or these instructions to operate the tool. Tools are dangerous in the hands of untrained users.
- e) Maintain tools. Check for misalignment or binding of moving parts, breakage of parts and any other condition that may affect the tool's operation. If damaged, have the tool repaired before use. Many accidents are caused by poorly maintained tools.
- f) Use the tool, accessories in accordance with these instructions, taking into account the working conditions and the work to be performed. Use of the tool for operations different from those intended could result in a hazardous situation.
- g) Recharge only with the charger specified by the manufacturer. A charger that is suitable for one type of battery pack may create a risk of fire when used with another battery pack.

- h) Use battery tools only with specifically designated battery packs. The use of any other battery packs may create a risk of injury or fire.
- i) When the battery pack is not in use, keep it away from other metal objects such as paper clips, coins, keys, nails, screws, or other small metal items that can make a connection from one terminal to another. Shorting the battery terminals together may cause burns or a fire.
- j) Under abusive conditions, liquid may be ejected from the battery; avoid contact. If contact accidentally occurs, flush with water. If liquid contacts eyes, additionally seek medical help. Liquid ejected from the battery may cause irritation or burns.

6) SERVICE

- a) Have your tool serviced by a qualified repair person using only identical replacement parts. This will ensure that the safety of the tool is maintained.

2 SAFETY INSTRUCTIONS FOR BRAD NAILER

1.1 BRAD NAILER SAFETY WARNINGS

- + **Always assume that the tool contains fasteners.** Careless handling of the tool can result in unexpected firing of fasteners and personal injury.
- + **Do not point the tool towards yourself or anyone nearby.** Unexpected triggering will discharge the fastener causing an injury.
- + **Do not actuate the tool unless the tool is placed firmly against the workplace.** If the tool is not in contact with the workplace, the fastener may be deflected away from your target.
- + **Disconnect the tool from the battery when the fastener jams in the tool.** While removing a jammed fastener, the tool may be accidentally activated if it is plugged in.
- + **Use caution while removing a jammed fastener.** The mechanism may be under compression and the fastener may be forcefully discharged while attempting to free a jammed condition.
- + If using this tool in single sequential mode, always ensure it is in the correct actuation setting.
- + Tool user should assess the specific risks that may be present as a result of each use.



- + The tool shall be disconnected when unloading fasteners, making adjustments, clearing jams or changing accessories.
- + The tool should not be modified unless authorized in the tool manual or approved in writing by the tool manufacturer. The tool may function unexpectedly after modification and cause danger.
- + Do not drive this tool into materials that are too hard or too soft. Hard materials can cause the fastener to ricochet and injure people, while soft materials may be penetrated too easily and cause the fastener to fly freely.
- + Please keep the tool in clean condition, wipe off grease or oil after work. Do not use any solvent based cleaner to clean the tool. It is possible the solvent will deteriorate the rubber or plastic components on the tool. Greasy handle and body will cause accidental drop of the tool and injury to nearby person.
- + Do not use the tool for any purpose other than its designated function. In particular, do not use the tool as a hammer. Impact on the tool may increase the risk of a cracked housing and accidental discharge of fasteners.
- + Load the fastener at last to prevent unexpected fastener firing when loading battery.

+ **OPERATING CONTROLS**



**OPERATION
MODE**

- Do not use a tool with missing or damaged safety warning label(s).
- A tool that is not in proper working order must not be used. Tags and physical segregation shall be used for control.
- Do not remove, tamper with, or otherwise cause tool operating controls to become inoperable.
- Do not operate the tool if any portion of its operating controls is inoperable, disconnected, altered, or not working properly.



+ TOOL HANDLING

- Only persons who have read and understand the tool operating/safety instructions should operate the tool.
 - Always assume that the tool contains fasteners.
 - Do not point tool toward yourself or anyone whether it contains fasteners or not.
 - Keep bystanders and children away while operating tool.
 - Do not actuate tool unless tool is placed firmly against the workpiece.
 - Respect tool as a working implement.
 - Do not engage in horseplay.
 - Stay alert, focus on your work and use common sense when working with tools.
 - Do not use tool while tired, after having consumed drugs or alcohol, or while under the influence of medication.
 - Do not overreach. Keep proper footing and balance at all times.
 - Do not hold or carry tool with a finger on the trigger.
 - Drive fasteners into proper work surface only.
 - Do not drive fasteners into other fasteners.
- After driving a fastener, tool may spring back (“recoil”) causing it to move away from the work surface. To reduce risk of injury always manage recoil by:
- always maintaining control of tool.
 - allowing recoil to move tool away from work surface.
 - not resisting recoil such that tool will be forced back into the work surface. In “Contact Actuation Mode” if workpiece contact is allowed to re-contact work surface before the trigger is released, an unintended discharge of a fastener will occur.
 - keeping face and body parts away from tool.
- When working close to an edge of a workpiece or at steep angles use care to minimize chipping, splitting or splintering, or free flight or ricochet of fasteners, which may cause injury.
 - Keep hands and body away from the fastener discharge area of the tool.
 - Do not load the tool with fasteners while any of the operating controls is activated.
 - Do not operate tool with any power source other than that specified in tool operating/safety instructions.
 - Always select an actuation system that is appropriate to the fastener application and the training of the operator.

- Use extra caution when driving fasteners into existing walls or other blind areas to prevent contact with hidden objects or persons on other side (e.g., wires, pipes.).

+ REMOVE THE BATTERY WHEN

- Not in use
- Performing any maintenance or repairs
- Clearing a jam
- Elevating, lowering or otherwise moving the tool to a new location
- Tool is outside of the operator's supervision or control, or
- Removing fasteners from the magazine

2.2 RECOMMENDED FASTENERS AND ACCESSORIES

- + Use only fasteners made or recommended by the tool manufacturer, or fasteners that perform equivalently to those recommended by the manufacturer.
- + Use only accessories made or recommended by the tool manufacturer, or accessories that perform equivalently to those recommended by the manufacturer.

Remarks: Accessories not included, Battery, Battery Charger and Fasteners. Please refer to the technical data sheet for their specifications.

3 TOOL SPECIFICATIONS

3.1 TECHNICAL DATA

BN18-55 BC CORDLESS BRAD NAILER	
Model	BN18-55 BC
Firing Mode	Sequential / Contact Actuation
Voltage	18 V
Height	300 mm 11.81"
Width	95 mm 3.74"
Length	290 mm 11.42"
Tool Weight	2.30 kg 5.10 lbs
Tool and battery Weight	2.73 kg 6.02 lbs
Magazine Angle	Straight
Loading Capacity	100 Brads

4 BATTERY

4.1 BATTERY LEVEL DISPLAY

BATTERY POWER	LIGHT SIGNAL
>80%	
60%	
40%	
>20%	

4.2 BATTERY SPECIFICATION

BATTERY SPECIFICATION	CAS 18 V LiPower 2.0 Ah
Rated Voltage	18 V
Rated Capacity	2.0 Ah
Cell type	Li-Ion
Dimension	110 x 79 x 45 mm (L x W x H) 4.33" x 3.11" x 1.77" (L x W x H)
Energy	36 Wh
Weight	430g 0.95 lbs

4.3 BATTERY CHARGER SPECIFICATION

BATTERY CHARGER SPECIFICATION	
Charger	ASC 145 DUO, 12-36 V, „AIR COOLED“, EU
Battery voltage	12 – 36 V
Mains voltage	220 – 240 V
Mains frequency	50 – 60 Hz
Max. charging current	8 A
Output rating	145 W
Charging time for 18 V/4.0 Ah	30 min
Charging time for 18V/8.0 Ah	60 min
Weight	1490 g 3.28 lbs

BATTERY CHARGER SPECIFICATION	
Charger	ASC 55, 12-36 V, „AIR COOLED“, EU
Battery voltage	12 – 36 V
Mains voltage	220 – 240 V
Mains frequency	50 – 60 Hz
Max. charging current	3 / 4 A
Output rating	55 W
Charging time for 18 V/4.0 Ah	80 min
Charging time for 18V/8.0 Ah	160 min
Weight	582 g 1.28 lbs

4.4 BATTERY & CHARGER SAFETY WARNINGS

- + Do not throw the battery into fire, nor heat the battery.
- + Do not disassemble nor modify the battery pack.
- + Do not leave the battery in a place of high temperature.(49°C or more)
- + Do prevent the battery from water or moisture.
- + Do not add strong shock, nor drop the battery.
- + Do not solder lead directly to the battery body.
- + Do not heat nor solder the terminals of the battery.
- + Do not short “+”and “-“terminal of the battery with a kind of metal.
- + Do not charge beyond the condition which described on the delivery specification.
- + Do not reverse-charge or reverse-connect the battery.
- + When recharging, use the battery charger specifically for that ASC 145 DUO& ASC 55.
- + We suggest that the voltage of battery should not be lower than end voltage/cell when working and storing, or it may cause unrecoverable decay in its capacity.
- + If the battery is stored for more than 3 months, its remaining capacity should be checked and the battery recharged if necessary.

Remarks: Please refer to the technical data sheet for the battery

- + DO NOT SHORT CIRCUIT. A battery pack will short circuit if a metal object makes a connection between the positive and negative contacts. Do not place a battery pack near anything that may cause a short circuit, such as coins, keys, or nails in your pocket. Do not allow fluids to enter the battery pack. Corrosive or conductive fluids, such as seawater, certain industrial chemicals, or bleach-containing products, can cause a short circuit. A short-circuited battery pack may cause fire, personal injury, or product damage.
- + DO NOT DISASSEMBLE. Incorrect reassembly may result in the risk of electric shock, fire or exposure to battery chemicals. If it is damaged, take it to a service facility.
- + AVOID DANGEROUS ENVIRONMENTS. Do not charge battery pack in rain, snow, damp or wet locations. Do not use battery pack or charger in the presence of explosive atmospheres (gaseous fumes, dust or flammable materials) because sparks may be generated when inserting or removing battery pack, possibly causing fire.
- + Do not short the battery cartridge:
 - (1) Do not touch the terminals with any conductive material.
 - (2) Avoid storing battery cartridge in a container with other metal objects such as nails, coins, etc.
 - (3) Do not expose battery cartridge to water or rain.
- + A battery short can cause a large current flow, overheating, possible burns and even a breakdown.
- + Keep work area clean and well lit. Cluttered and dark areas invite accidents.
- + Do not operate the appliance in explosive atmospheres, such as in the presence of flammable liquids, gases or dust. Chargers can cause sparks which may ignite dust or fumes.
- + Keep children and other persons away from the area while the charger is in use.
- + The supply cord plug must match the outlet. Modification of the plug in any way is not permissible. Unmodified plugs and corresponding power outlets reduce the risk of electric shock.
- + Avoid body contact with earthed or grounded surfaces such as pipes, radiators, ranges and refrigerators. There is an increased risk of electric shock if your body is earthed or grounded.
- + Do not abuse the supply cord. Never use the supply cord to carry, pull or unplug the appliance. Keep the cord away from heat, oil, sharp edges or moving parts. Damaged or entangled cords increase the risk of electric shock.
- + Only use the battery charger in areas which are dry. Water entering an electric appliance increases the risk of electric shock.

- + Use the charger only to charge the batteries approved of use of this charger.
- + Do not use a charger if its casing or electric supply cord is defective.
- + Store chargers out of reach of children when not in use. Do not allow persons unfamiliar with the appliance or these instructions to operate it. Chargers are dangerous in the hands of untrained users.
- + Maintain the appliance carefully. Check to ensure that no parts are broken or damaged in such a way that the appliance can no longer function correctly. If damaged, have the appliance repaired before use.
- + Use chargers and the corresponding batteries in accordance with these instructions and as is specified for this particular model. Use of chargers for applications different from those intended could result in hazardous situations.
- + Recharge only with the charger specified by the manufacturer. A charger that is suitable for one type of battery pack may create a risk of fire when used with another battery pack.
- + When not in use, keep the battery and the charger away from paper clips, coins, keys, nails, screws or other small metal objects that could cause a short circuit at the battery terminals or the charging contacts. A short circuit at the battery terminals or charging contacts could result in personal injury (burns) or fire.
- + Under abusive conditions, liquid may be ejected from the battery. Avoid contact with the liquid. If contact accidentally occurs, flush the affected area with water. If the liquid comes into contact with the eyes, seek medical attention immediately. Liquids ejected from the battery may cause irritation or burns.
- + Take care to ensure that the charger is standing in a steady, secure position. A falling battery or charger may present a risk of injury to yourself or others.
- + Avoid touching the contacts.
- + Batteries that have reached the end of their service life must be disposed of safely and properly to avoid environmental pollution.
- + This appliance is not intended for use by persons (including children) with reduced physical, sensory, or mental capabilities, or by those lacking experience and knowledge, unless they have been given supervision or instruction concerning the use of the appliance by a person responsible for their safety.
- + Children must be instructed not to play with the appliance.
- + Take care to ensure that the batteries suffer no mechanical damage.

- + Do not charge or continue to use damaged batteries (e.g. batteries with cracks, broken parts, bent or pushed-in and/or pulled-out contacts).
- + Do not touch the supply cord or extension cord if they are damaged while working. Disconnect the supply cord plug from the power outlet. Damaged supply cords or extension cords present a risk of electric shock.
- + Never operate the appliance when it is dirty or wet. Under unfavorable conditions, dampness or dust adhering to the surface of the appliance, especially dust from conductive materials, may present a risk of electric shock. Dirty or dusty appliances should thus be checked at the service center at regular intervals, especially if used frequently for working on conductive materials.



5 FUNCTIONAL DESCRIPTION

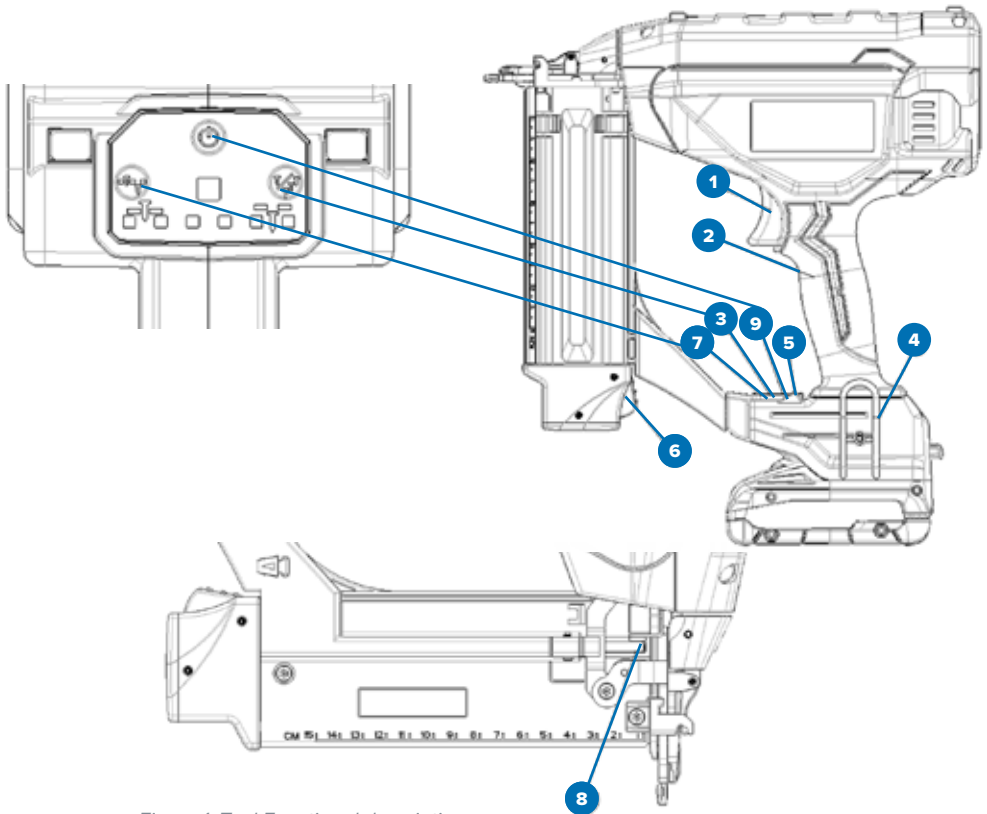


Figure 1: Tool Functional description

- | | | | |
|----------|--------------------------------|----------|--------------------------------------|
| 1 | Trigger | 6 | Magazine Cover Release Button |
| 2 | Handle | 7 | Depth Adjustment Button |
| 3 | Actuation Switch Button | 8 | Dry Fire Lock Indicator |
| 4 | Belt Hook | 9 | Power Switch Button |
| 5 | Actuation Indicator LED | | |

5.1 SINGLE SEQUENTIAL ACTUATION & CONTACT ACTUATION



To activate single sequential actuation mode, press button (3). To activate contact actuation mode, press and hold the button for approximately 3 seconds. When the green light on button (5) starts flashing, contact actuation mode will be activated if the trigger is depressed without operating the workpiece contact within the trigger time-out period.

5.1.1 SINGLE SEQUENTIAL ACTUATION

To operate the tool in single sequential actuation mode:

1. Fully depress nosepiece against the work surface (motor will start).
2. Pull trigger (fastener will drive into work surface).
3. Release trigger.
4. Lift nosepiece off work surface.
5. Repeat steps 1 through 4 for next application.



OPERATION MODE

NOTICE: The safety needs to be depressed followed by a trigger pull for each fastener followed by a release of both the safety and trigger after each fastener.

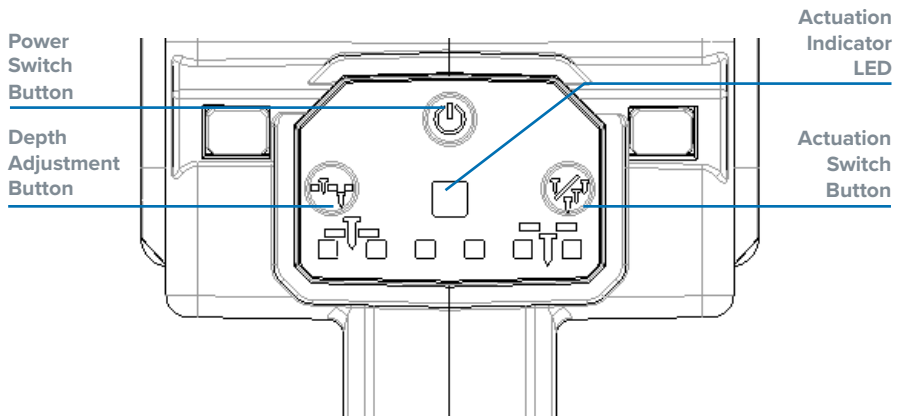


Figure 2: Settings

5.1.2 CONTACT ACTUATION MODE

- + Press the switch for about 5 seconds until the LED indicator flashes green..

To operate the tool using the contact actuation method:

- + Depress the trigger.
- + Push the safety against the work surface. As long as the trigger is depressed, the tool will drive a fastener each time the safety is engaged. This allows the user to drive multiple fasteners in sequence.

5.2 LOADING THE TOOL



OPERATION MODE

Keep the tool pointed away from yourself and others. Serious personal injury may result.



WARNING!

Never load fasteners with the safety or trigger activated. Personal injury may result.



WARNING!

Always remove battery pack before loading or unloading fasteners. Serious personal injury may result.

- + Press magazine cover release button and open sliding magazine fully.
- + Insert fasteners into the side of the magazine with the tips pointing downward.
- + Close sliding magazine until the magazine latch clips snugly.

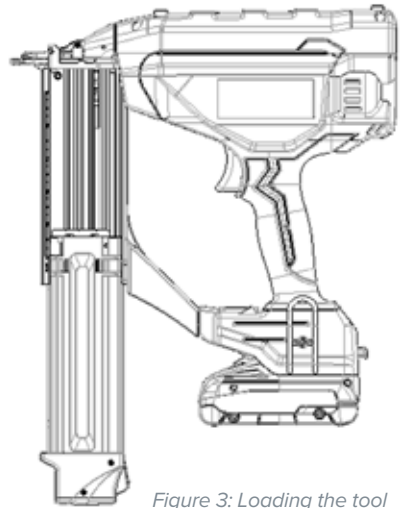


Figure 3: Loading the tool

5.3 UNLOADING THE TOOL



WARNING!

- + Press magazine cover release button and open sliding magazine fully.
- + Tip the tool upward until the fasteners slide freely out of the side of the magazine. Fully close the sliding magazine.
- + Open the jam clear door on the nosepiece to verify there are no fasteners remaining.

5.4 CLEARING A JAMMED FASTENER

If a fastener becomes jammed in the nosepiece, keep the tool pointed away from you and follow these instructions to clear:

- + Remove battery pack from tool.
- + Press the magazine cover release button and remove any loaded fasteners.
- + Lift the jam clear latch then pull up to open the nosepiece door.
- + Remove bent fastener, using pliers if necessary.
- + Close the nosepiece door and engage the latch fastener under the two arms on the nosepiece. Push latch until it locks in place.
- + Reinsert battery pack. **NOTE: The tool will disable itself and not reset until the battery pack has been removed and reinserted.**
- + Reinsert fasteners into magazine.
- + Should fasteners continue to jam frequently in nosepiece, have tool serviced by an authorized service center.

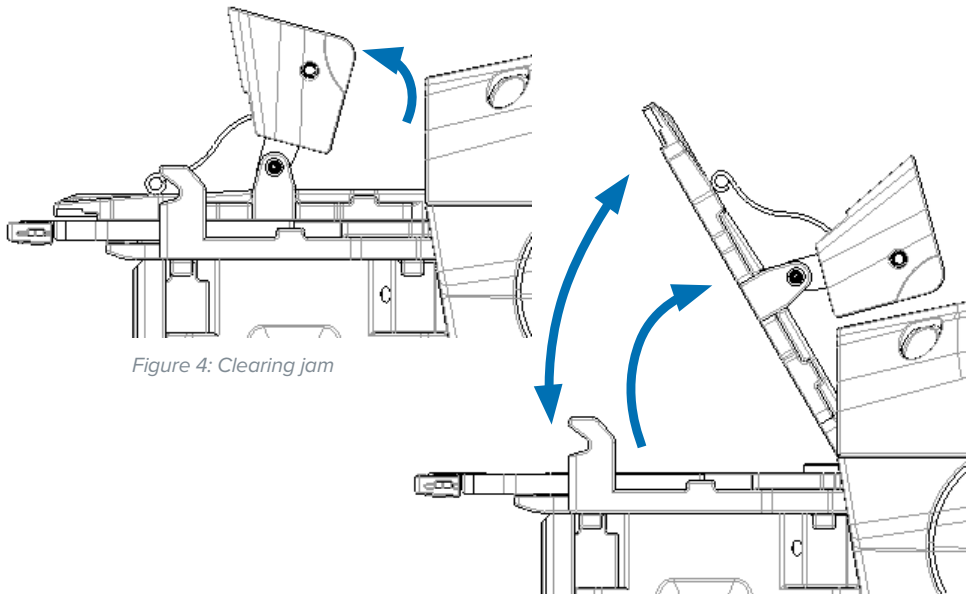


Figure 4: Clearing jam

5.5 DRY-FIRE LOCK OUT FEATURE

- + The tool is equipped with a dry-fire lockout feature to prevent it from cycling when no fasteners are loaded. When 6 fasteners remain, the red dry-fire lockout indicator will be displayed.

5.6 ADJUSTING DEPTH



- + The depth that the fastener is driven can be adjusted using the depth adjustment button on the control panel of the tool.



To reduce risk of serious injury from accidental actuation when attempting to adjust depth, ALWAYS:

- + Deinstall battery pack.
- + Avoid contact with trigger during adjustments.

6 ASSEMBLY AND INSTRUCTION



To reduce the risk of serious personal injury, turn unit off and remove the battery pack before making any adjustments or removing / installing attachments or accessories. An accidental start-up can cause injury.

BELT HOOK

The tool includes an integrated belt hook that can be attached to either side of the tool to accommodate left- or right-handed users. If the hook is not desired at all, it can be removed from the tool.

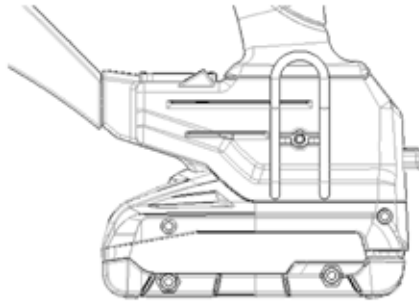


Figure 5: Belt hook

TO REMOVE THE BELT HOOK

- + Remove battery pack from tool.
- + To switch the tool from right- to left-hand usage simply remove the screw 18 from the opposite side of the tool and reassemble on the other side.
- + Replace battery pack.

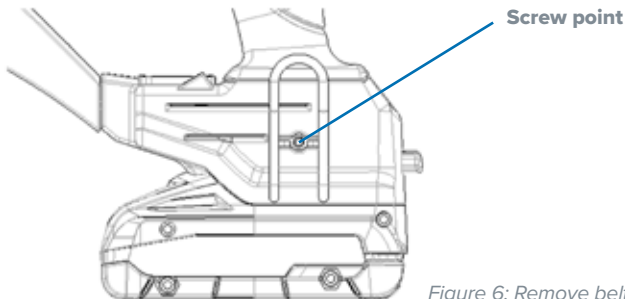


Figure 6: Remove belt hook

7 OPERATION



To reduce the risk of serious personal injury, turn unit off and remove the battery pack before making any adjustments or removing / installing attachments or accessories. An accidental start-up can cause injury.

Installing and Removing the Battery Pack

- + To install the battery pack, align it with the rails inside the tool's handle and slide it in until it is firmly seated. Ensure that the battery pack is securely locked in place and does not disengage.
- + To remove the battery pack from the tool, press the release button and firmly pull the battery pack out of the tool's handle. Insert the battery pack into the charger as described in the charger section of this manual.

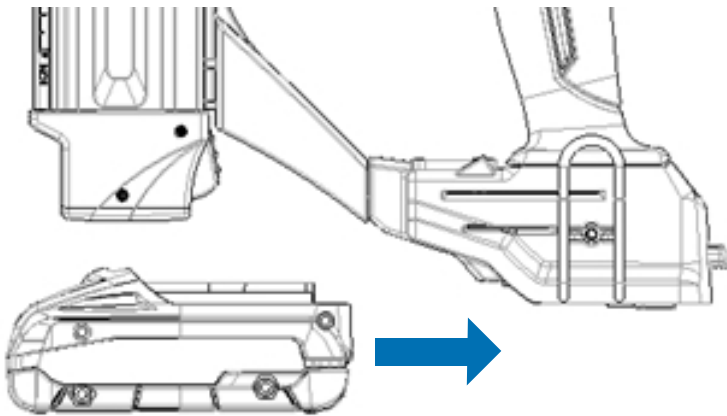


Figure7: Installing battery pack



Always wear proper eye and hearing protection when operating tool.



EYE PROTECTION!

The tool is capable of firing using contact actuation or sequential actuation. If you would like to have the contact actuation mode disabled, have the tool serviced by an authorized service center.



HEARING PROTECTION!

Before operating this tool, look at the actuation switch to determine the actuation mode. Read all instructions before selecting actuation mode.



Keep fingers **AWAY** from trigger when not driving fasteners to avoid accidental fastener discharge.



NEVER carry the tool with your finger on the trigger. In contact actuation mode, the tool will drive a fastener if the safety is bumped while the trigger is

7.1 NO-MAR TIP



Always make sure that your fingers are not placed on the switch trigger or the contact actuation is activated and the battery is removed before installing the nose adapter.

There are three parts to the No-Mar Tip.

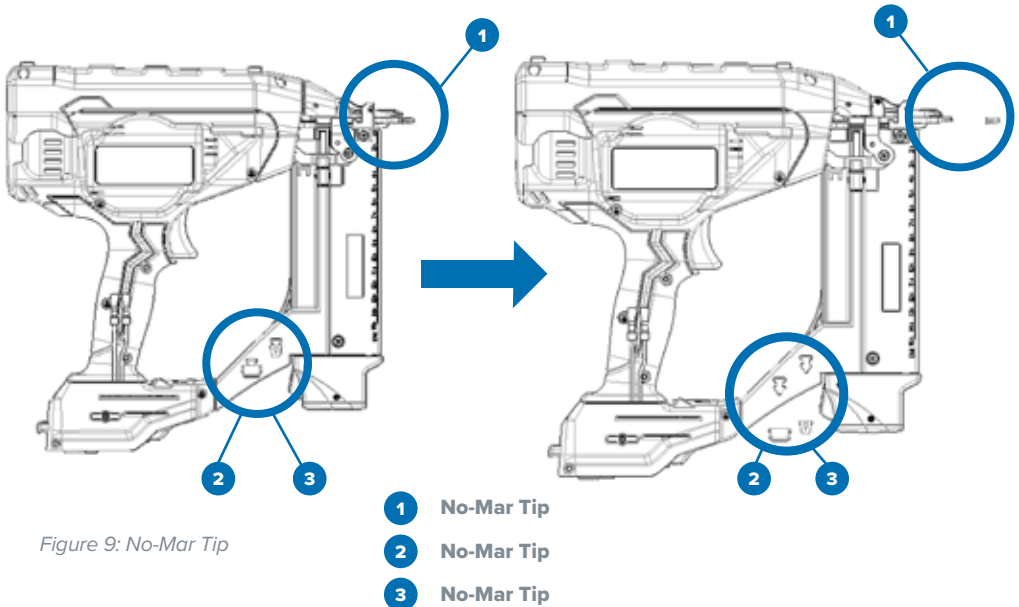


Figure 9: No-Mar Tip

8 MAINTENANCE

- + The employer and the tool operator are responsible for ensuring that the tool is kept in safe working order. Furthermore, only service personnel trained by the manufacturer, distributor, or employer may repair the tool, and only parts or accessories supplied or recommended by the manufacturer or distributor shall be used.
- + **CAUTION** disconnect the battery before performing any maintenance.
- + Keep the tool in clean condition at all times. Wipe off grease or oil with dry clean cloth to prevent accidental tool drop. Avoid to use solvent base cleaner to clean the tool, certain solvent will damage or weaken the composite parts of the tool. Clean the intake filter regularly to keep the tool in full efficiency.
- + **NEVER** use a tool if there is any doubt.
- + **WASTE DISPOSAL** Follow national regulations for waste disposal so as not to impose hazards to personnel and the environment (page 34).

8.1 CLEANING



Blow dirt and dust out of all air vents with clean, dry air at least once a week. To minimize the risk of eye injury, always wear approved eye protection when performing this.



Never use solvents or other harsh chemicals for cleaning the non-metallic parts of the tool. These chemicals may weaken the plastic materials used in these parts. Clean with a cloth dampened only with water and mild soap. Never allow any liquid to get inside the tool, and never immerse any part of the tool in liquid.

COLD WEATHER

- + This tool is not suggested to be used in cold weather. The cold weather will decrease the battery performance. Use the tool only at temperature above -7°C (19°F).

STORAGE

- + When not in use for an extended period, apply a thin coat of the lubricant to the steel parts to avoid rust. Do not store the tool in a cold weather environment. When not in use, the tool should be stored in a warm and dry place. Keep out of reach from children.

9 TROUBLE SHOOTING

SYMPTOMS	COUNTER MEASURES
Red LED indicator light is on and the tool does not operate	Battery power might be too low.
	Replace battery with a fully charged one.
	The tool is equipped with a dry-fire lock out
Dry-fire lock out indicator is shown red and the tool does not operate	Dry-fire lock out is activated and ≤ 6 fasteners are left in the tool.
Red LED indicator light is two flashes and the tool does not operate	The tool motor is locked.
Red LED indicator light is three flashes and the tool does not operate	The tool motor is over current.
Red LED indicator light is four flashes and the tool does not operate	The motor high temperature protection.
Red LED indicator light is five flashes and the tool does not operate	The motor low temperature protection ..
Red LED indicator light is six flashes and the tool does not operate	The tool battery pack Voltage exceeds 22 volts.
For failure other than above situation, please stop using the tool and contact your local dealer for service.	

Table 1: Possible malfunctions

Please send the tool back to the tool manufacturer/distributor, if failure other than those as tabulated above occurs.

10 EU DECLARATION OF CONFORMITY

This verifies that the product specified below complies with the regulations of the following European directives:

Machinery directive: EMC Directive 2014/30/EU, RoHS Directive 2011/65/EU; 2006/42 EC

Product name: BN18-55 BC Cordless Brad Nailer

Department designated with documentation

R&D

The manufacturer

Company: BECK Fastening GmbH

Address: Raimund Beck Strasse 1
5270 Mauerkirchen
AUSTRIA

The following harmonised standards have been applied:

DIN EN ISO 12100-2011 „Safety of Machinery“

DIN EN ISO 11148-13:2019 „Hand-Held Non-Electric Power Tools“

EMC Standards EN 55014-1,

EN 55014-2,

EN 61000-3-2

EN 61000-3-3

EN 60745-1

EN 60745-2-16

In accordance with the provisions of the EM Directive
2014/30/EU, RoHS Directive 2011/65/EU, 2006/42/EC

5270 Mauerkirchen, 01.04.2026



Dipl.-Kfm. Christian Beck
Chief Executive Officer (CEO)

11 DISPOSAL



Environmental damage may occur in the event of improper disposal. Clean the tool before disposal. Follow all applicable regulations for disposing of oils and greases. Do not dispose of this tool, including the battery and charger, with household waste. Take the tool to an appropriate recycling facility in accordance with local regulations.



Never dispose of the tool or any of its parts with normal household waste. If you wish to dispose of the tool, please return it to the manufacturer. The manufacturer and authorized dealers are responsible for proper disposal of the tool. The manufacturer's contact details can be found on page 33.

CAUTION

**Improper disposal causes environmental damage!
Please follow the applicable disposal regulations.**



BECK Fastening GmbH

Raimund-Beck-Strasse 1

AUSTRIA

Tel.: +43 7724 2111-0

www.beck-fastening.com

E-Mail: sales.int@beck-fastening.com



BECK Fastening GmbH. All rights reserved. In particular, copying, translating, and distributing this documentation is strictly prohibited.